

Miniature photoelectric sensor PST series



Feature description

- M3 threaded cylindrical installation, small size, easy to install and use
- With 360° visible bright LED status indicator
- Good anti-light interference, high product stability
- Small spot, stable detection of small objects
- Good background suppression and color sensitivity, stable detection of black objects



Model specification

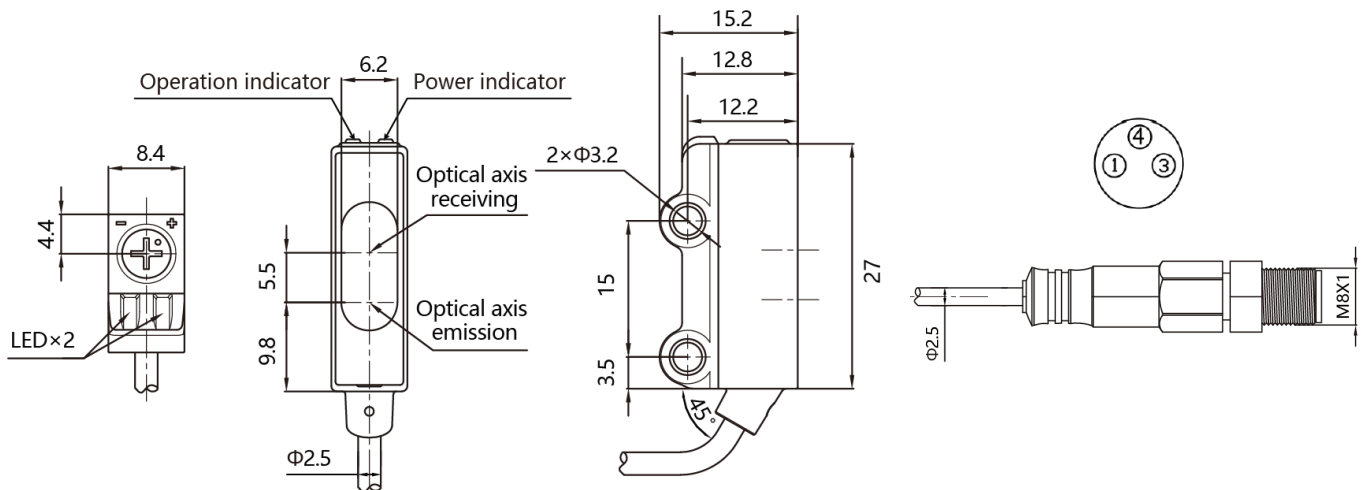
NPN NO	PST-YR30DNOR-F3	PNP NO	PST-YR30DPOR-F3
NPN NC	PST-YR30DNCR-F3	PNP NC	PST-YR30DPCR-F3

Specifications

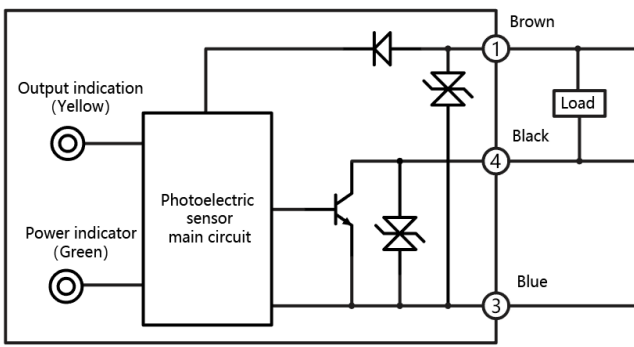
Detection distance	30mm	Light source	Red light(680nm)
Detection of test	1...36mm	Response time	<1ms
Dead zone	<1mm	Indicator	Green: Power Indicator
Standard target	100*100mm white card		Yellow: Output indication
Smallest detector	Φ1mm above opaque objects	Anti ambient light	Sunshine interference ≤10,000 lux;
Distance adjustment	knob		Incandescent light interference ≤3,000 lux
Light spot size	3mm@100mm	Operating temperature	-20...55 °C
Color sensitivity	85%	Storage temperature	-30...70 °C
Hysteresis	<20%	Protection degree	IP67
Supply voltage	10...30VDC	In conformity with standards	CE
Consumption current	≤15mA	Housing material	ABS
Load current	≤50mA	Lens	PMMA
Voltage drop	≤1.5V	Connection	20cm PVC+M8 connector (3-pins)
Circuit protection	Short circuit protection, overload protection, reverse polarity protection	Accessories	M3 Screws(length16mm)、Nut×2、 Operation manual

Remark: This is data measuring from 100mm*100mm 90% white card.

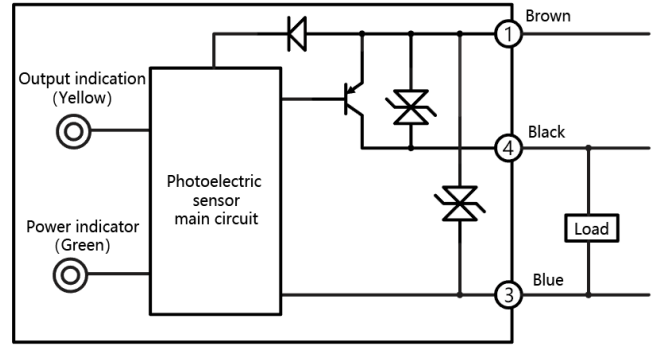
Dimensions



Wiring diagram



NPN



PNP