

Plastic square shape photoelectric sensors PSE series



Feature description

- Universal housing, an ideal replacement for a wide range of sensor types
- IP67, suitable for harsh environments
- Large knob design, convenient and fast adjustment distance
- Small detection dead zone, suitable for the detection of high light objects
- Product FGS and BGS can be switched, suitable for use in various occasions



Model specification

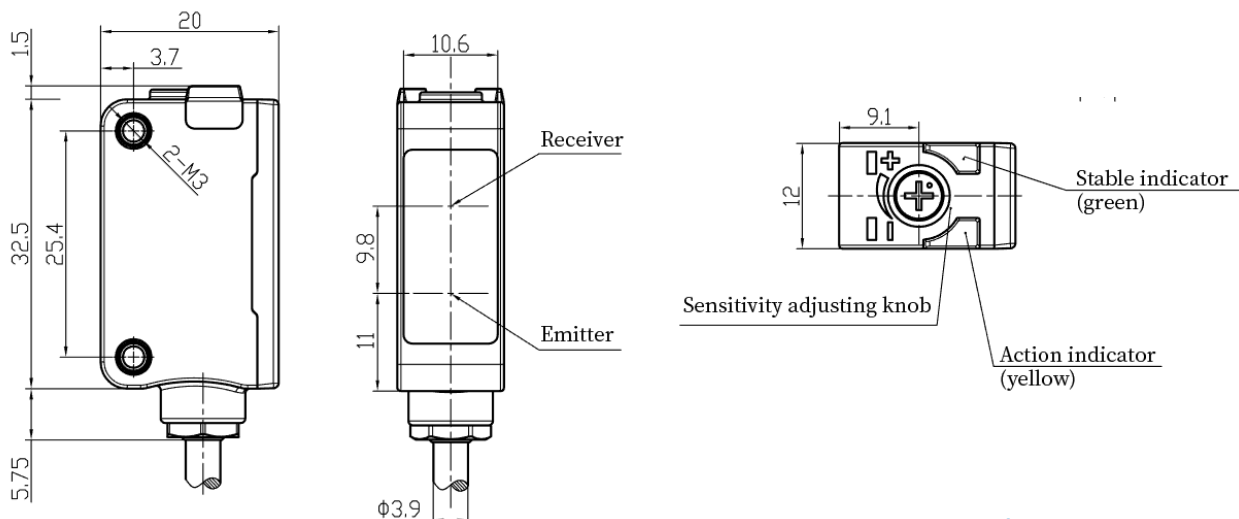
NPN NO	PSE-YC5DNOR	PNP NO	PSE-YC5DPOR
NPN NC	PSE-YC5DNCR	PNP NC	PSE-YC5DPCR

Specifications

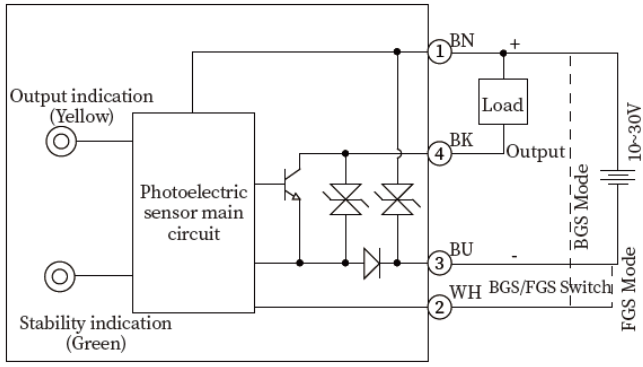
Detection method	Background suppression	Response time	≤0.5ms
Sensing distance	0.2...5cm	Indicator	Green:Power indicator;Yellow:Output,overload or short circuit
Distance adjustment	5-turn knob adjustment	Anti-ambient light	Sunlight interference≤10,000 lux
BGS/FGS Switch	The white wire connected to the positive electrode or floating is		Anti-incandescent light interference≤3,000 lux
	BGS and the white wire connected to the Negative electrode is FGS	Ambient temperature	-25°C ...55 °C
Light spot size	φ2mm@5cm	Storage temperature	-25°C ...70 °C
Return difference	< 2%	Protection degree	IP67
Supply voltage	10...30 VDC	Certification	CE
Consumption current	≤20mA	Material	PC+ABS
Load current	≤100mA	Lens	PMMA
Voltage drop	≤2V	Weight	2m PVC Cable(50g)
Light source	Red light(630nm)	Accessories	Screw(M3×12mm)×2、Mounting bracket ZJP-8
Circuit protection	Short circuit、Reverse polarity、Overload、Zener protection		Operation manual

Note: The standard detection target is a white card of 20cm*20cm(90% reflectivity)

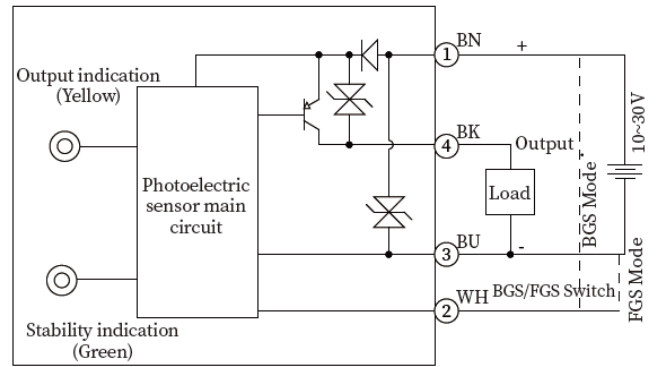
Dimension



Wiring diagram



NPN



PNP